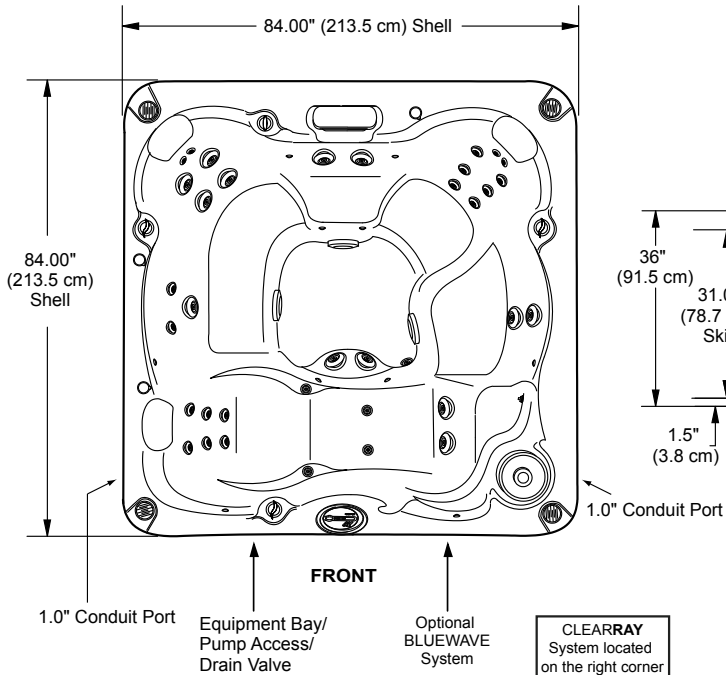


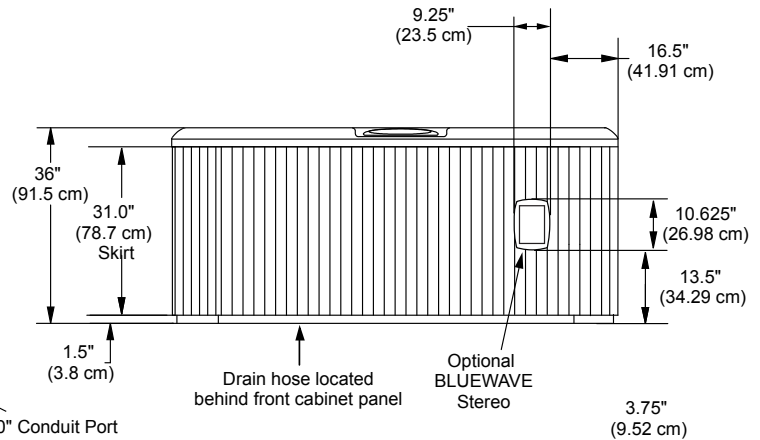
2014 Sundance Spas 680 Peyton

Portable Dimensions

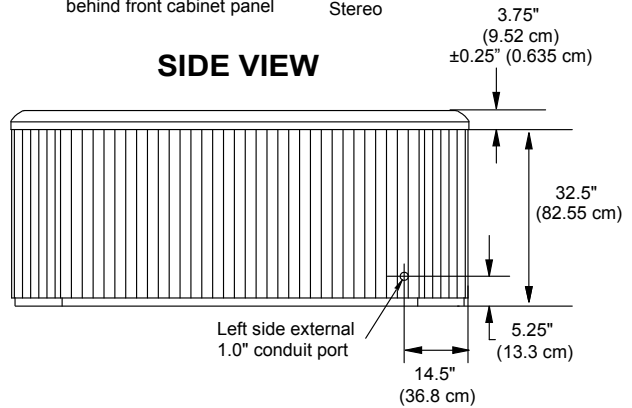
TOP VIEW



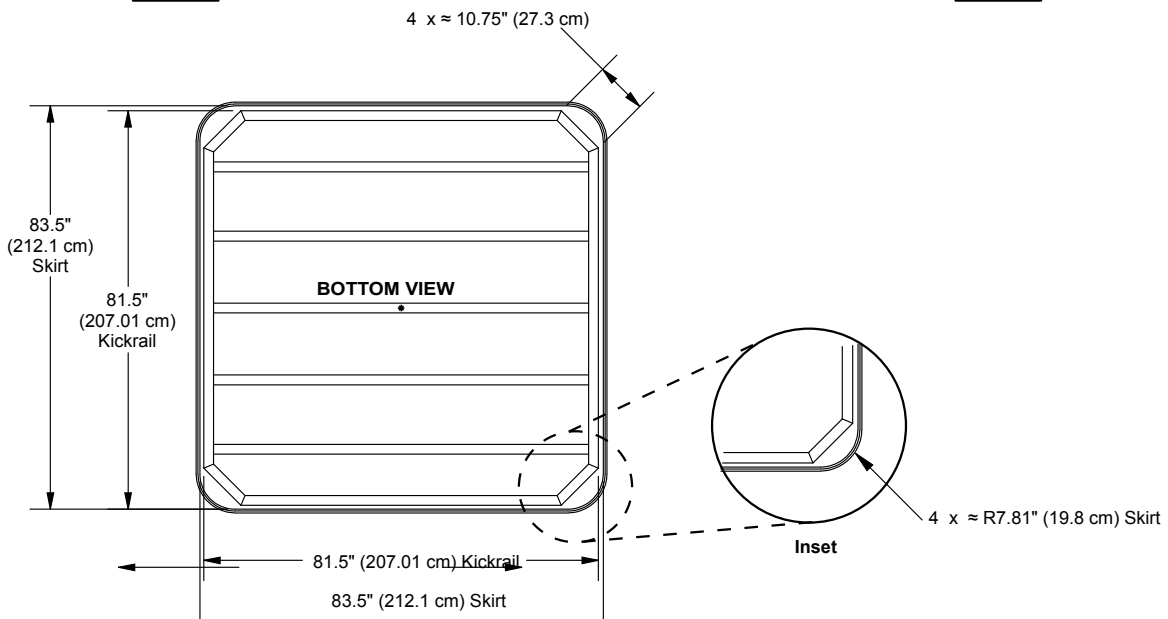
FRONT VIEW
(Front view with stereo option shown)



SIDE VIEW



IMPORTANT! Always measure each hot tub for exact dimensions BEFORE designing its foundational support and/or decking.



Dimensions/Specifications Subject To Change Without Notice