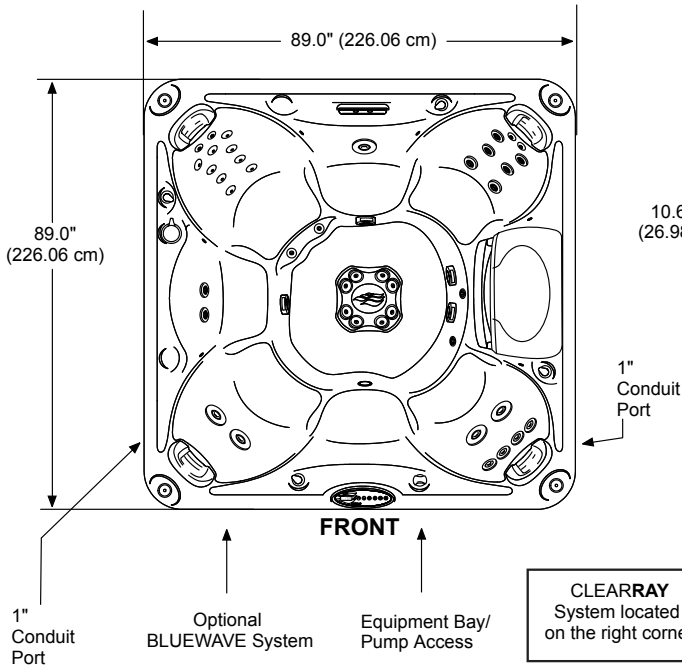


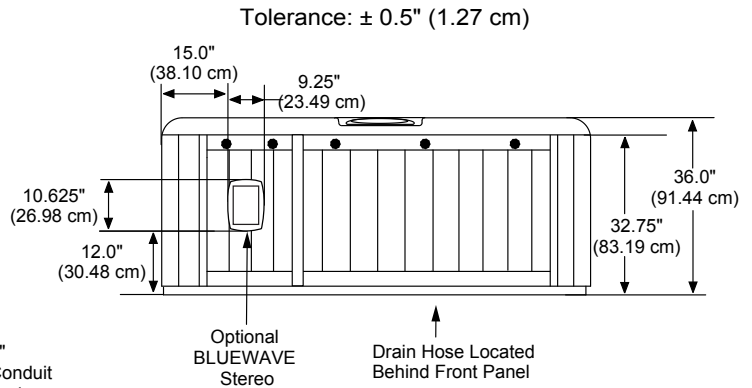
2014 Sundance Spas Chelsee

Portable Dimensions

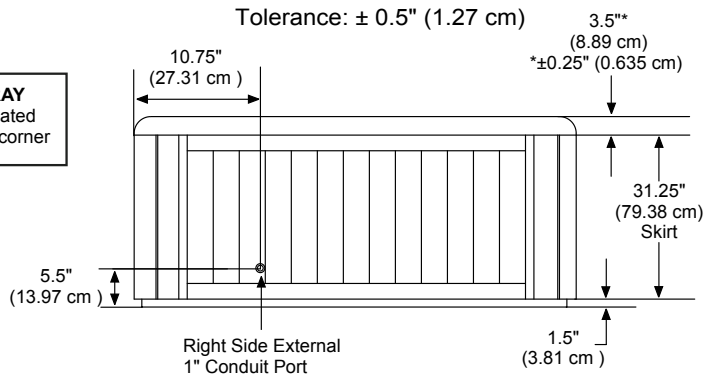
TOP VIEW



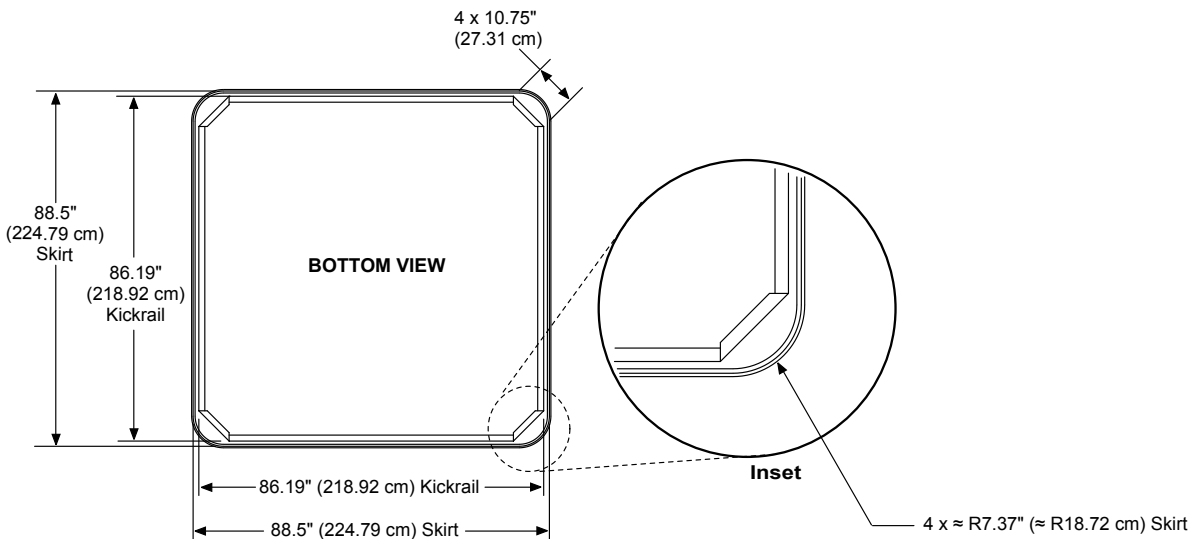
FRONT/BACK VIEW
(Front view with stereo option shown)



RIGHT SIDE VIEW



IMPORTANT! Always measure each hot tub for exact dimensions BEFORE designing its foundational support and/or decking.



Dimensions/specifications subject to change without notice. Tolerance: ± 0.5" (1.27 cm)

Dimensions/Specifications Subject To Change Without Notice