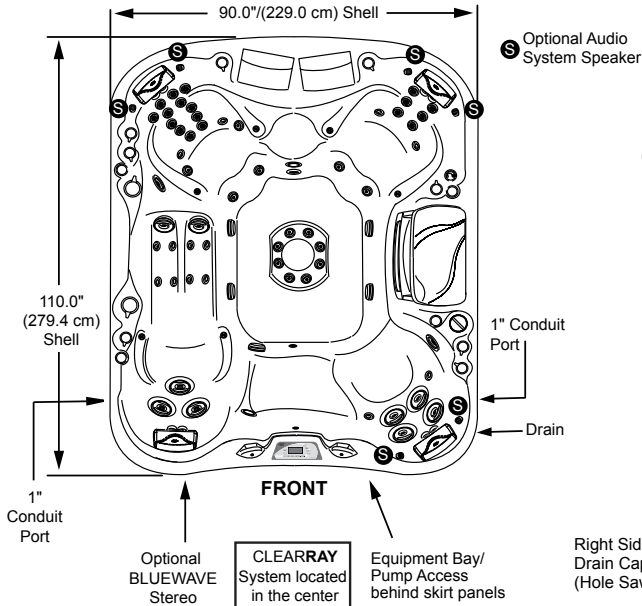


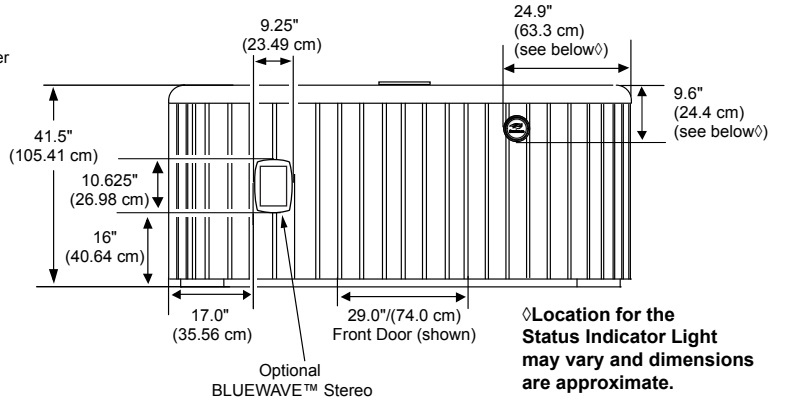
2014 Sundance Spas 880 Maxxus

Portable Dimensions

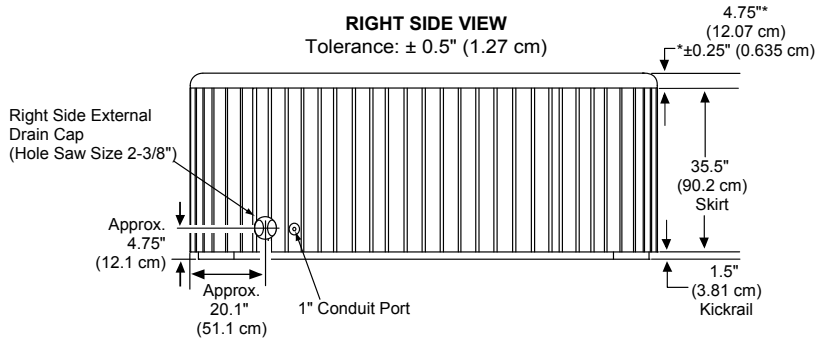
TOP VIEW



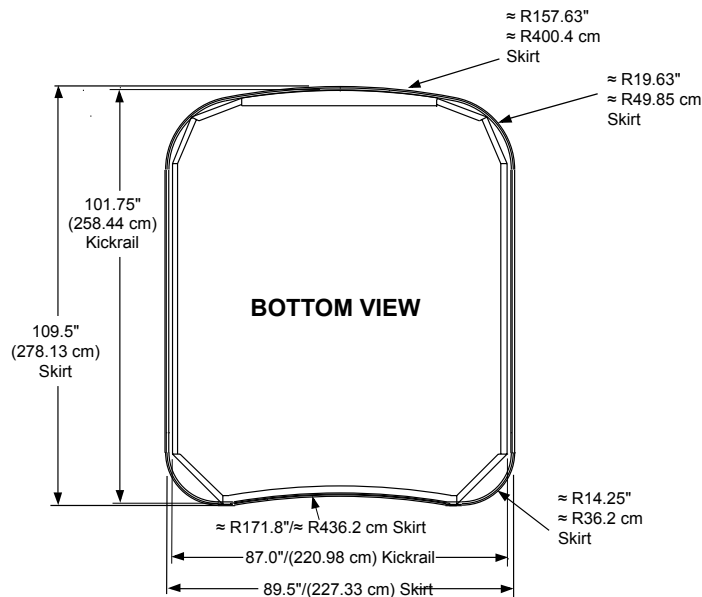
FRONT/BACK VIEW
(Front view with stereo option shown)
Tolerance: $\pm 0.5"$ (1.27 cm)



RIGHT SIDE VIEW
Tolerance: $\pm 0.5"$ (1.27 cm)



IMPORTANT! Always measure each hot tub for exact dimensions BEFORE designing its foundational support and/or decking.



Dimensions/specifications subject to change without notice. Tolerance: $\pm 0.5"$ (1.27 cm)

Dimensions/Specifications Subject To Change Without Notice